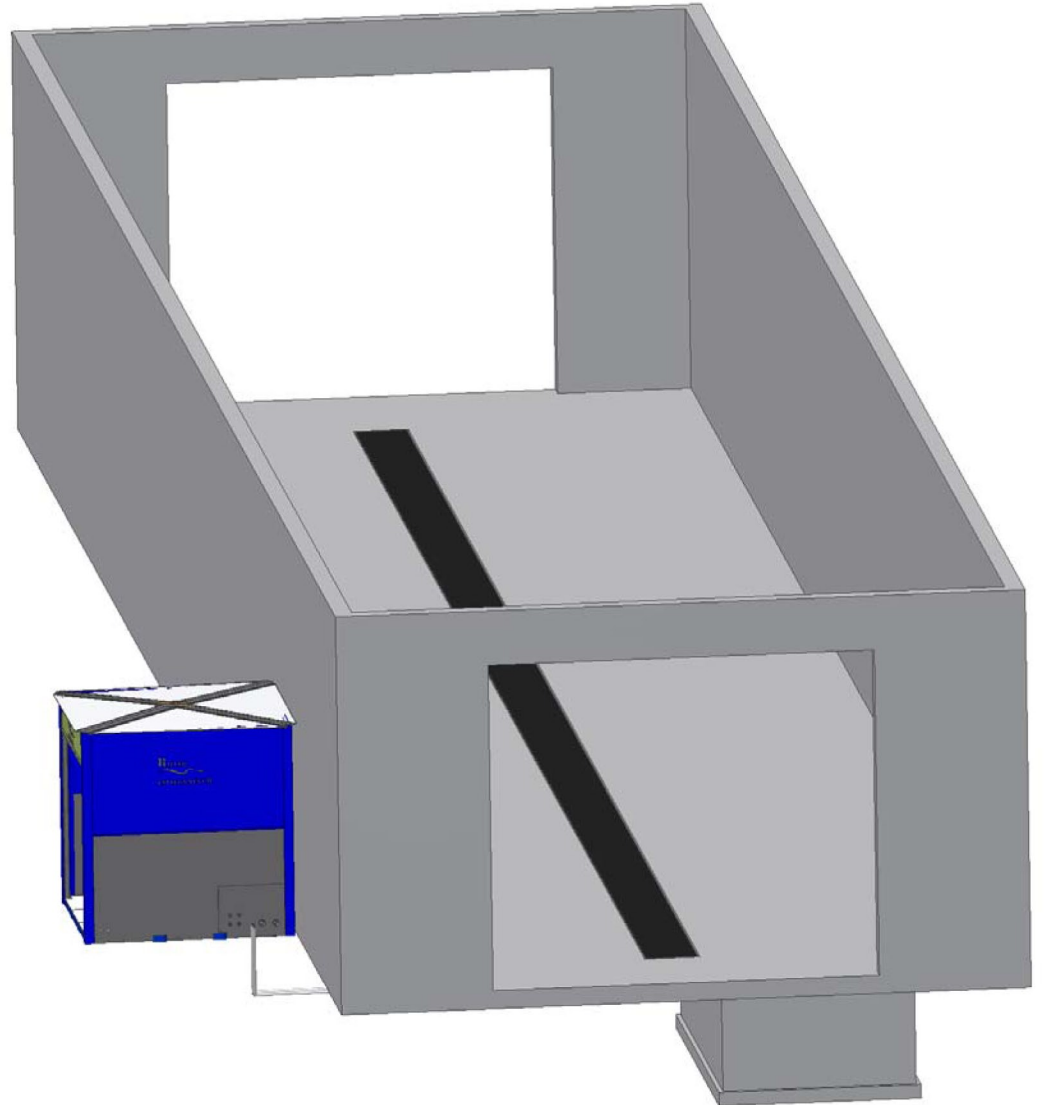


STANDARD CENTER TRENCH DRAIN TO SUMP FIT THIS CUSTOMER'S SPACE AND WASTE STREAM REQUIREMENT

Closed loop Cyclonator Deuce is behind wall,
out of sight and out of mind for users.



RIVEER
ENVIRONMENTAL

233 Veterans Boulevard
South Haven, MI 49090
888-857-7304
www.riveer.com