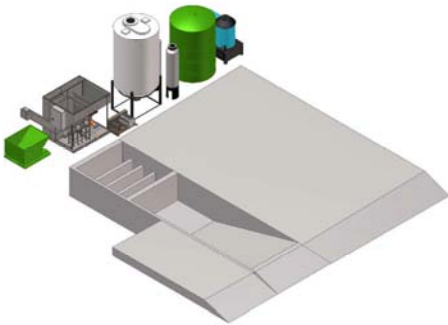
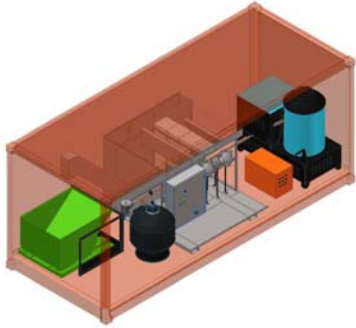
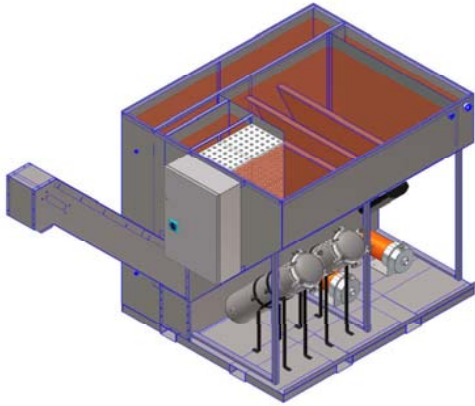




Features

- Only filtration system with built-in mud conveyor
- Stainless steel
- 1200-gallons of mud settling
- High pressure back washable media filter
- PLC controlled
- Continuous ozone injection
- Completely automatic operation
- Oil Coalescing
- Automatic oil skimmer
- Absolute filtration to 5 micron
- Continuous recirculation
- ¼ Yard self dumping hopper



Specifications

Capacity	1200 gallons
Weight	1800 lbs.
Dimensions	112"L x 76"W x 82"H
Electric	208, 240, 480 single or three phase
Process Rate	0 – 25 GPM
PSI	80 – 15,000
GPM	4 - 80
Material	304 stainless steel